

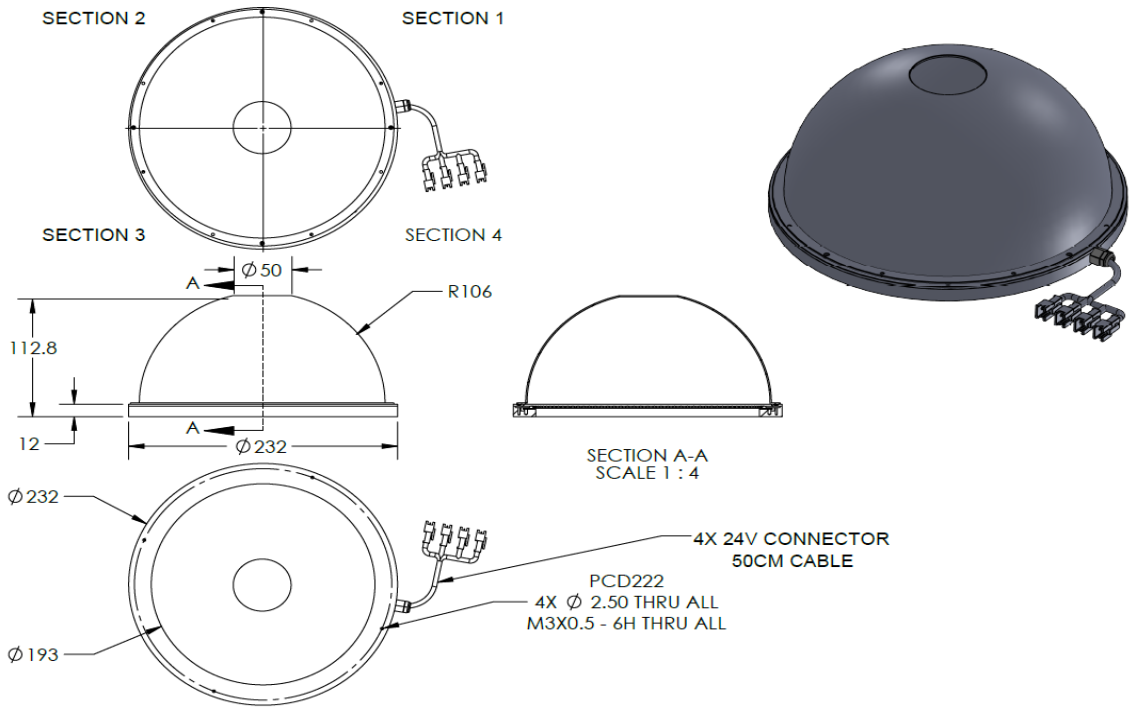


OPTO ENGINEERING

ILLUMINATOR DATA

LT5WRG200-00-1-B-24V-CH4

Lighting Dimension



Mechanical Information	
Casing Material	Aluminium
Storage Temperature Range	0 - 45°C
Storage Humidity Range	20 - 85%
Weight	520 g
Length / Outer Diameter	232 mm
Width / Inner Diameter	193 mm
Thickness / Height	112.8 mm

ILLUMINATOR DATA

LT5WRG200-00-1-B-24V-CH4

Lighting Information																														
Part Number	LT5WRG200-00-1-B-24V-CH4																													
Channel	CH1		CH2			CH3			CH4																					
LED Color	BLUE																													
Wavelength	470 nm																													
Working Distance	20 mm	30 mm	50 mm	20 mm	30 mm	50 mm	20 mm	30 mm	50 mm	TBA																				
Intensity (±15%)	* FOR FURTHER INFORMATION PLEASE CONTACT US								TBA	TBA																				
Illumination (number of row)	1																													
Illumination Active Area	Active Length / Outer Dia.			232 mm																										
	Active Width / Inner Dia.			193 mm																										
Emission angle	0																													
Eye Safety Class (IEC62471)	II																													
Chromaticity Table	<table border="1"> <tr><td>X</td><td>0.296</td><td>0.287</td><td>0.307</td><td>0.311</td></tr> <tr><td>Y</td><td>0.276</td><td>0.295</td><td>0.315</td><td>0.294</td></tr> </table>					X	0.296	0.287	0.307	0.311	Y	0.276	0.295	0.315	0.294	<table border="1"> <tr><td>X</td><td>0.311</td><td>0.307</td><td>0.33</td><td>0.33</td></tr> <tr><td>Y</td><td>0.294</td><td>0.315</td><td>0.339</td><td>0.318</td></tr> </table>					X	0.311	0.307	0.33	0.33	Y	0.294	0.315	0.339	0.318
X	0.296	0.287	0.307	0.311																										
Y	0.276	0.295	0.315	0.294																										
X	0.311	0.307	0.33	0.33																										
Y	0.294	0.315	0.339	0.318																										
For White colour only																														

Electrical Information				
Rated Constant Voltage	24V±2%			
Rated Constant Current	1380 mA	1380 mA	1380 mA	345 mA
Power Consumption	33.12 W	33.12 W	33.12 W	8.28 W
Casing temperature, After 60 minutes operation	60			
Max. continous current of RED, GREEN & BLUE LEDs on at the same time	*It is not recommended to turn on Red, Green and Blue colour at the same time. Refer to Maximum Simultaneous Current Output section in the last page for maximum current that can be supplied for each colour. Failure in following this may results in damaging the lighting.			


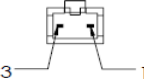
Strobe Mode Specification				
**Normal Strobe Voltage	24 V			
**Normal Strobe Current	1380 mA	1380 mA	1380 mA	1380 mA
Overdrive Voltage Range	Min: 36 V Max: 48 V	Min: 36 V Max: 48 V	Min: 36 V Max: 48 V	Min: 36 V Max: 48 V
Overdrive Current Range	Min: 3220 mA Max: 5400 mA	Min: 3220 mA Max: 5400 mA	Min: 3220 mA Max: 5400 mA	Min: 3220 mA Max: 5400 mA
Max. pulse current of RED, GREEN & BLUE LEDs on at the same time	*It is not recommended to turn on Red, Green and Blue colour at the same time. Refer to Maximum Simultaneous Current Output section in the last page for maximum current that can be supplied for each colour. Failure in following this may results in damaging the lighting.			
Recommended Overdrive Voltage	36 V			
***Max. Trigger Pulse Duration	10 msec			
***Max. Duty Cycle	10%			

**Normal strobe means the lighting is operated using the rated power. Overdrive means the power supplied to the lighting exceeded the rated power.

***Overdrive condition must not exceed the max. trigger pulse duration and max. duty cycle. Failure in following this may results in damaging the lighting.

ILLUMINATOR DATA

LT5WRG200-00-1-B-24V-CH4

Connection Information			
Connector Type (Default)	JST SMR-03V		
Cable Length	50 cm		
Pin Configuration 	Pin	Signal	Cable Colour
	1	LED +	Red
	2	N.C	-
	3	LED -	White
			

Additional Information	
Additional Cooling Method	Attached to machine part for better heat dissipation
Intensity Controller Selection	SD, ST, ANG, LC, SDA, SDP series
CE Conformity	YES
RoHS Compliance	YES

Application	
Illumination Type	Indirect Illumination
Application Use	Cracks, Chips, Stains & Mark on Circular or Cylindrical Object Inspection, Solder and Substrate Inspection



ILLUMINATOR DATA

LT5WRG200-00-1-B-24V-CH4

Lighting Pattern																																											
Working Distance	For further details please contact us																																										
Display and Image																																											
Data Results	<table border="1"> <thead> <tr> <th>Horizontal</th> <th>Meas.(mm)</th> </tr> </thead> <tbody> <tr><td>90%</td><td></td></tr> <tr><td>80%</td><td></td></tr> <tr><td>70%</td><td></td></tr> <tr><td>60%</td><td></td></tr> <tr><td>50%</td><td></td></tr> <tr><td>40%</td><td></td></tr> <tr><td>30%</td><td></td></tr> <tr><td>20%</td><td></td></tr> <tr><td>10%</td><td></td></tr> </tbody> </table>	Horizontal	Meas.(mm)	90%		80%		70%		60%		50%		40%		30%		20%		10%		<table border="1"> <thead> <tr> <th>Vertical</th> <th>Meas.(mm)</th> </tr> </thead> <tbody> <tr><td>90%</td><td></td></tr> <tr><td>80%</td><td></td></tr> <tr><td>70%</td><td></td></tr> <tr><td>60%</td><td></td></tr> <tr><td>50%</td><td></td></tr> <tr><td>40%</td><td></td></tr> <tr><td>30%</td><td></td></tr> <tr><td>20%</td><td></td></tr> <tr><td>10%</td><td></td></tr> </tbody> </table>	Vertical	Meas.(mm)	90%		80%		70%		60%		50%		40%		30%		20%		10%		
Horizontal	Meas.(mm)																																										
90%																																											
80%																																											
70%																																											
60%																																											
50%																																											
40%																																											
30%																																											
20%																																											
10%																																											
Vertical	Meas.(mm)																																										
90%																																											
80%																																											
70%																																											
60%																																											
50%																																											
40%																																											
30%																																											
20%																																											
10%																																											